

Vent Check Valve, AERO 1.4



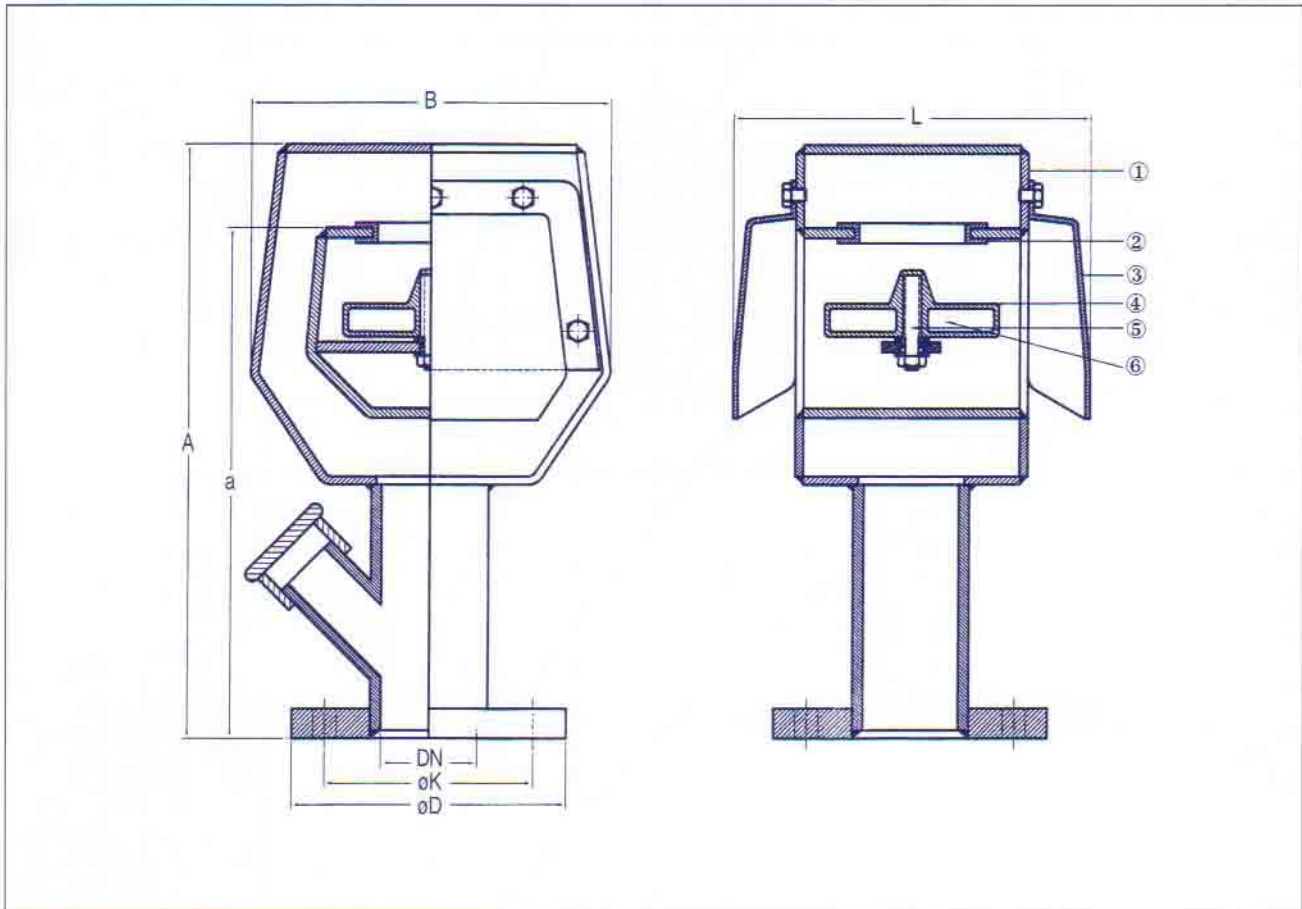
With sounding cap.
For venting and sounding
liquid filled tanks.
Reality tested according to
IACS requirements.
Approved by major classifi-
cation societies.

G J E R D E T A N K V E N T

ADDRESS: JOHN GJERDE A.S, P.O.BOX 33, N-6077 GJERDSVIKA - TEL +47 70 02 76 02 - FAX +47 70 02 76 85

Vent Check Valve, AERO 1.4

Vent Check Valve with sounding cap



DN	Inch	A	a	B	L	øK	øD	Holes dia.	
								no	dia
40	1½	419	378	213	223	110	150	4	18
50	2	419	378	213	223	125	165	4	18
65	2½	419	378	213	223	145	185	4	18
80	3	456	401	270	257	160	200	8	18
100	4	456	401	270	257	180	220	8	18
125	5	510	455	302	304	210	250	8	18
150	6	599	513	385	366	240	285	8	22
175	7	621	536	430	411	270	315	8	22
200	8	669	580	470	461	295	340	8	22
250	10	814	687	590	536	350	395	12	22
300	12	877	734	685	681	400	445	12	22
350	14	1056	872	885	766	460	505	16	22
400	16	1058	874	885	766	515	565	16	26

Dim. of branch pipe, acc. to customers specification.

Pos. Item

①	Body	Hot galvanized, epoxy coated or stainless steel 316 L execution.
②	Seat	Neoprene.
③	Cover	Hot galvanized, epoxy coated or stainless steel 316 L execution.
④	Float cover	PE.
⑤	Guiding pin	Stainless steel 316
⑥	Float disc	PE.

Option: Flame screen, stainless steel 316.

Slip-on flange standards:

DN 25-175 NS2527 / ISO 2084
DN 200-400 NS2526 / ISO 2084

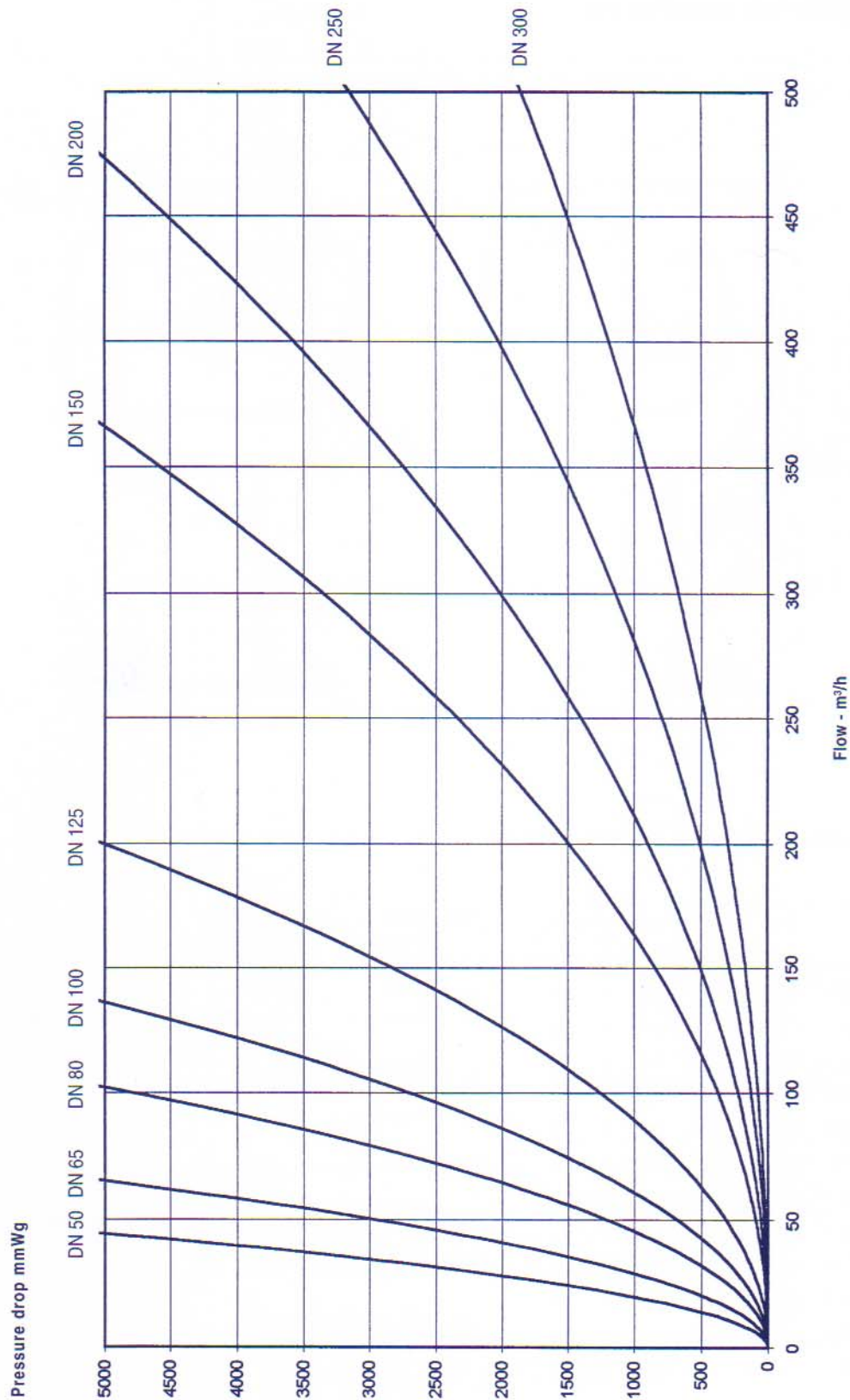
Optional connecting piece:

Buttwelded.

For more details, please contact us.
Specifications are subject to changes without further notice.

See overleaf for flow characteristics.

Flow characteristics, AERO 1.4



For more information, please contact us.

G J E R D E T A N K V E N T

ADDRESS: JOHN GJERDE A.S, P.O.BOX 33, N-6077 GJERDSVIKA - TEL +47 70 02 76 02 - FAX +47 70 02 76 85