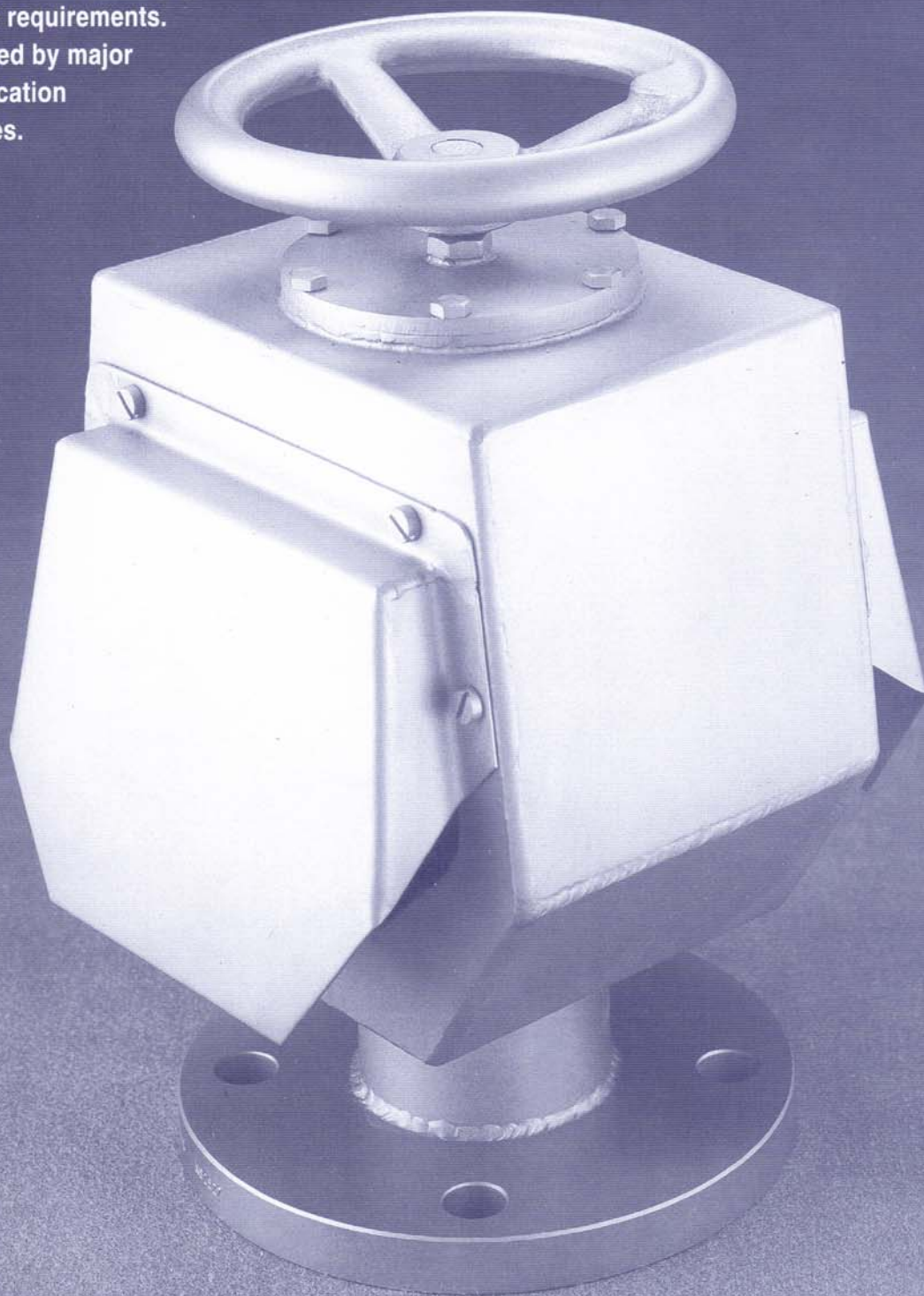


Vent Check Valve, AERO 1.3

With closing device.
For venting non-liquid cargo holds etc.
Reality tested according
to IACS requirements.
Approved by major
classification
societies.



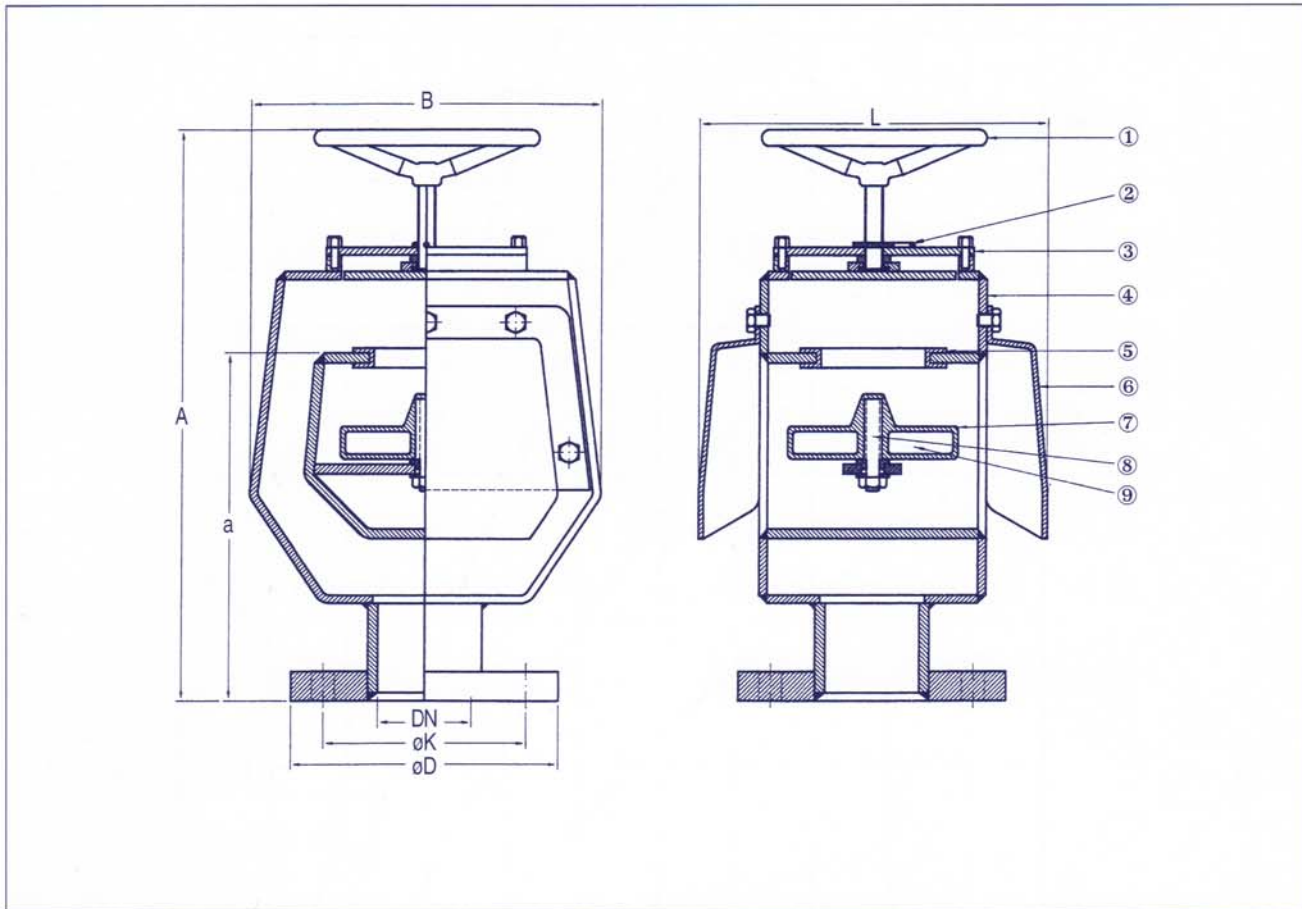
10003/07 Rev. 0 STEGENEN

G J E R D E T A N K V E N T

ADDRESS: JOHN GJERDE A.S, P.O.BOX 33, N-6077 GJERDSVIKA - TEL +47 70 02 76 02 - FAX +47 70 02 76 85

Vent Check Valve, AERO 1.3

Vent Check Valve with closing device



DN	Inch	A	a	B	L	øK	øD	Holes dia.	
								no	dia
40	1½	350	222	213	223	110	150	4	18
50	2	350	222	213	223	125	165	4	18
65	2½	350	222	213	223	145	185	4	18
80	3	426	257	270	257	160	200	8	18
100	4	426	257	270	257	180	220	8	18
125	5	459	280	302	304	210	250	8	18
150	6	579	356	385	366	240	285	8	22
175	7	608	392	430	411	270	315	8	22
200	8	686	425	470	461	295	340	8	22
250	10	874	530	590	536	350	395	12	22
300	12	945	585	685	681	400	445	12	22
350	14	1101	700	885	766	460	505	16	22
400	16	1101	700	885	766	515	565	16	26

For more details, please contact us.
Specifications are subject to changes
without further notice.

Pos.	Item	Materials
①	Closing device	Aluminium or 316.
②	Safety pin	316.
③	Cover	Hot galvanized, epoxy coated or stainless steel 316 L execution.
④	Body	Hot galvanized, epoxy coated or stainless steel 316 L execution.
⑤	Seat	Neoprene.
⑥	Cover	Hot galvanized, epoxy coated or stainless steel 316 L execution.
⑦	Float cover	PE.
⑧	Guiding pin	Stainless steel 316.
⑨	Float disc	PE.

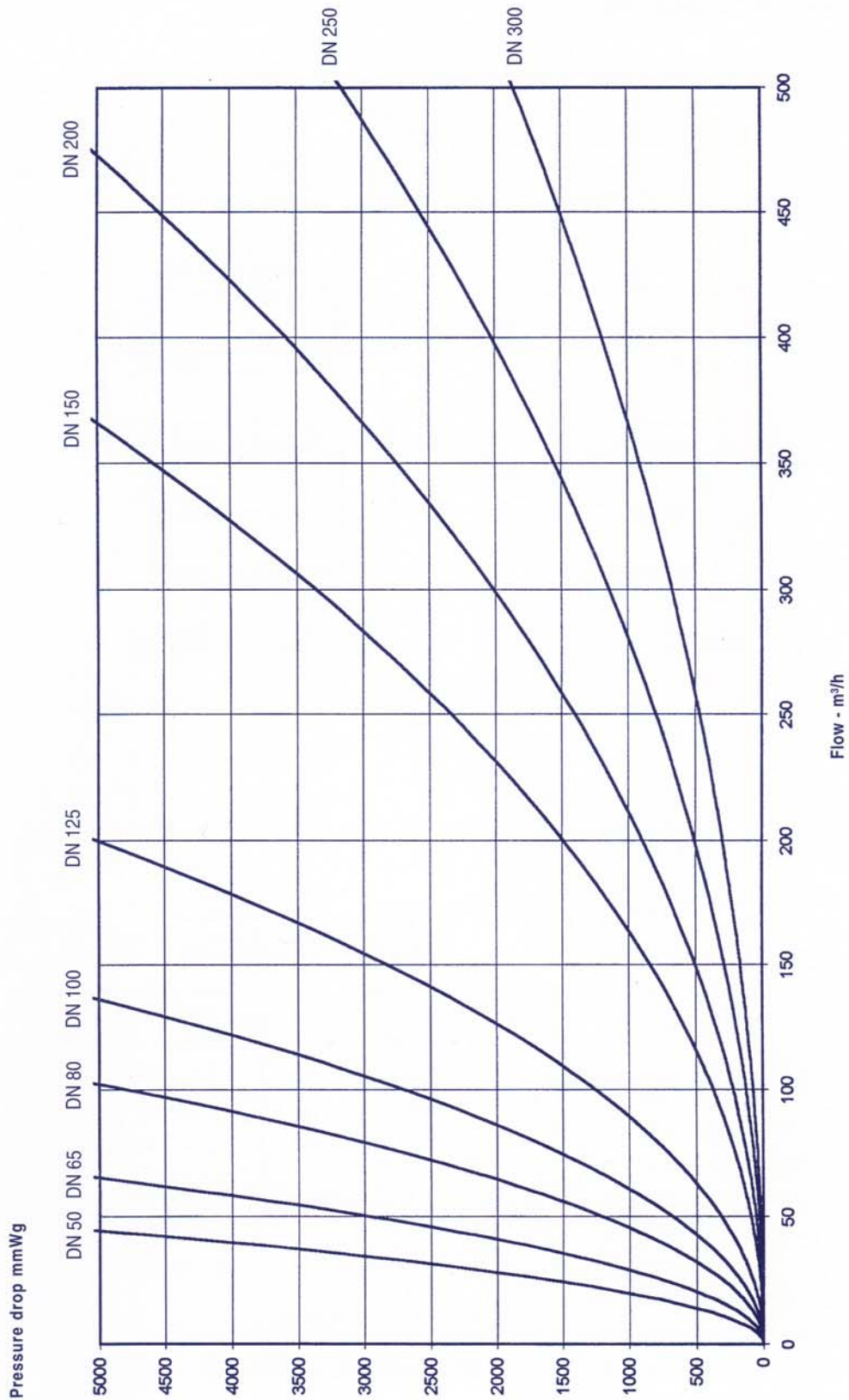
Option: Flame screen, stainless steel 316.

Slip-on flange standards:
DN 25-175 NS2527 / ISO 2084
DN 200-400 NS2526 / ISO 2084

Optional connecting piece:
Buttwelded.

See overleaf for flow characteristics.

Flow characteristics, AERO 1.3



For more information, please contact us.

G J E R D E T A N K V E N T

ADDRESS: JOHN GJERDE A.S, P.O.BOX 33, N-6077 GJERDSVIKA - TEL +47 70 02 76 02 - FAX +47 70 02 76 85